

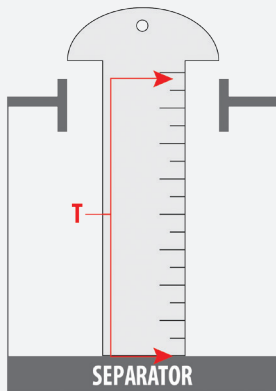


BFS		
Part #	T1	T2
072214	42	29
072220	47	34
072224	51	39
072229	56	42
072234	61	46
072239	66	50
072244	71	53
072249	76	59
072259	86	68

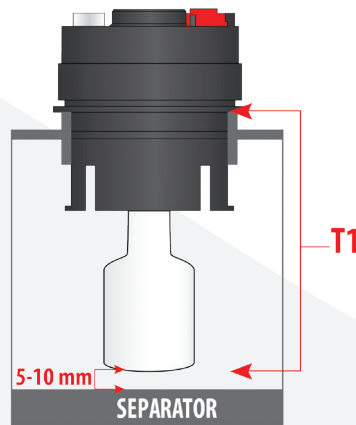
BWT		
Part #	T1	T2
FLT14	40	29
FLT20	46	34
FLT24	52	40
FLT29	57	44
FLT34	61	47
FLT39	67	52
FLT44	71	54
FLT49	75	57
FLT59*	86	67

* Requires Float Extension

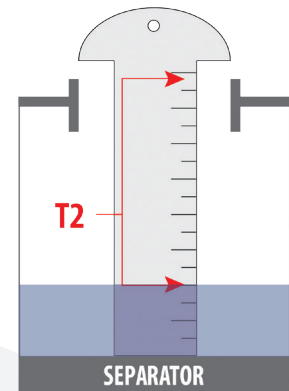
BWT Block		
Part #	T1	T2
VB-TBU	47	35
VB-TBY	37	29
VC-TB4	40	25
VC-TB5	52	34
VB-TB5S	58	46



T Measurement
Top of Cell to
Top of Separator



T1 Measurement
Top of Cell to
Bottom of Float



T2 Measurement
Top of Cell to
Top of Electrolyte Level